

Flex-Bolt™ Sandwich Mounts

Featuring: Small Sandwich Mounts
(Standard UNC Threads)
Small Sandwich Mounts (Metric Threads)
Medium Sandwich Mounts
Large Sandwich Mounts

LORD Flex-Bolt™ Sandwich Mounts are designed to protect equipment and machinery against damaging vibration. This family of mounts has excellent capacity for energy control.

Constructed with high-strength bonds and specially compounded elastomers, these mounts provide high load-carrying capacity and assure long life.

The simple design and unitized construction provide low-cost mounting systems which are compact, lightweight, easy to install and maintenance-free.

These mounts are available in three size groups to suit a variety of applications. Small Flex-Bolt Sandwich Mounts are available in metric and standard (UNC) threads.

Typical applications for Flex-Bolt Sandwich Mounts include business machines; motorcycles; heating, ventilating and air conditioning equipment; light motors; appliances; shipping containers; feeders; compactors; and vibratory rollers.

Features and Benefits

- Economical
- Compact and lightweight
- Easy to install
- Maintenance-free
- Three size groups: small, medium and large
- Unitized construction

Small Sandwich Mounts (Standard UNC Threads)

Table 1 – Specifications and Dimensions

| Part Number | Type | Elastomer ① | Shear | | | | Compression | | | | Part Dimensions | | | |
|----------------|------|----------------|---------------------|-----|-------------------------------|------|---------------------|------|-------------------------------|------|-----------------|------|------|------|
| | | | Maximum Static Load | | Spring Rate K _S | | Maximum Static Load | | Spring Rate K _C | | A | | B | |
| | | | lb | N | lb/in | N/mm | lb | N | lb/in | N/mm | in | mm | in | mm |
| SMB003-0100-1 | 1 | NR | 1 | 4 | 18 | 3 | 7 | 31 | 100 | 18 | 0.38 | 9.7 | 0.38 | 9.7 |
| SMB003-0100-2 | 1 | NR | 1.5 | 7 | 26 | 5 | 10 | 44 | 138 | 24 | 0.38 | 9.7 | 0.38 | 9.7 |
| SMB003-0100-7 | 1 | OR | 1.5 | 7 | 26 | 5 | 10 | 44 | 180 | 32 | 0.38 | 9.7 | 0.38 | 9.7 |
| SMB003-0100-3 | 1 | NR | 2 | 9 | 40 | 7 | 13 | 58 | 200 | 35 | 0.38 | 9.7 | 0.38 | 9.7 |
| SMB003-0100-43 | 1 | OR | 2.5 | 11 | 30 | 5 | 11 | 49 | 143 | 25 | 0.38 | 9.7 | 0.38 | 9.7 |
| SMB003-0100-42 | 1 | OR | 2.5 | 11 | 30 | 5 | 11 | 49 | 143 | 25 | 0.38 | 9.7 | 0.38 | 9.7 |
| SMB003-0100-9 | 1 | OR | 3 | 13 | 50 | 9 | 17 | 76 | 285 | 50 | 0.38 | 9.7 | 0.38 | 9.7 |
| SMB003-0200-6 | 2 | OR | 1 | 4 | 50 | 9 | 6 | 27 | 260 | 46 | 0.38 | 9.7 | 0.19 | 4.8 |
| SMB003-0200-9 | 2 | OR | 3 | 13 | 120 | 21 | 11 | 49 | 360 | 63 | 0.38 | 9.7 | 0.19 | 4.8 |
| SMB003-0100-12 | 1 | OR | 4 | 18 | 375 | 66 | 25 | 111 | 2000 | 350 | 0.38 | 9.7 | 0.38 | 9.7 |
| SMB006-0100-2 | 1 | NR | 5 | 22 | 55 | 10 | 35 | 156 | 325 | 57 | 0.62 | 15.7 | 0.50 | 12.7 |
| SMB006-0100-7 | 1 | OR | 5 | 22 | 55 | 10 | 35 | 156 | 325 | 57 | 0.62 | 15.7 | 0.50 | 12.7 |
| SMB006-0100-9 | 1 | OR | 9 | 40 | 105 | 18 | 60 | 267 | 700 | 123 | 0.62 | 15.7 | 0.50 | 12.7 |
| SMB006-0200-6 | 2 | OR | 4 | 18 | 90 | 16 | 17 | 76 | 510 | 89 | 0.62 | 15.7 | 0.25 | 6.4 |
| SMB006-0200-9 | 2 | OR | 7 | 31 | 180 | 32 | 35 | 156 | 1020 | 179 | 0.62 | 15.7 | 0.25 | 6.4 |
| J-4624-109 | 1 | OR | 3 | 13 | 28 | 5 | 28 | 125 | 195 | 34 | 1.0 | 25.4 | 0.38 | 9.7 |
| J-4624-43 | 2 | NR | 4 | 18 | 130 | 23 | 18 | 80 | 565 | 99 | 1.0 | 25.4 | 0.25 | 6.4 |
| J-4624-19 | 1 | NR | 6 | 27 | 55 | 10 | 36 | 160 | 320 | 56 | 1.0 | 25.4 | 0.38 | 9.7 |
| J-4624-57 | 1 | NR | 6 | 27 | 55 | 10 | 36 | 160 | 320 | 56 | 1.0 | 25.4 | 0.62 | 15.7 |
| J-4624-479 | 2 | OR | 8 | 36 | 230 | 40 | 44 | 196 | 1000 | 175 | 1.0 | 25.4 | 0.25 | 6.4 |
| J-4624-165 | 2 | NR | 9 | 40 | 185 | 32 | 35 | 156 | 765 | 134 | 1.0 | 25.4 | 0.25 | 6.4 |
| J-4624-1 | 1 | OR | 12 | 53 | 105 | 18 | 64 | 285 | 620 | 109 | 1.0 | 25.4 | 0.38 | 9.7 |
| J-4624-14 | 1 | OR | 12 | 53 | 105 | 18 | 64 | 285 | 620 | 109 | 1.0 | 25.4 | 0.50 | 12.7 |
| J-4624-27 | 1 | OR | 12 | 53 | 105 | 18 | 64 | 285 | 620 | 109 | 1.0 | 25.4 | 0.75 | 19.1 |
| J-4624-119 | 1 | OR | 12 | 53 | 105 | 18 | 64 | 285 | 620 | 109 | 1.0 | 25.4 | 0.88 | 22.4 |
| J-4624-23 | 1 | OR | 17 | 76 | 180 | 18 | 110 | 489 | 940 | 165 | 1.0 | 25.4 | 0.62 | 15.7 |
| J-4624-63 | 1 | OR | 22 | 98 | 200 | 35 | 135 | 601 | 1200 | 210 | 1.0 | 25.4 | 0.75 | 19.1 |
| J-4624-13 | 1 | OR | 22 | 98 | 200 | 35 | 135 | 601 | 1200 | 210 | 1.0 | 25.4 | 0.50 | 12.7 |
| J-4624-3 | 1 | OR | 22 | 98 | 300 | 53 | 135 | 601 | 1470 | 257 | 1.0 | 25.4 | 0.88 | 22.4 |
| J-4624-45 | 1 | OR | 22 | 98 | 200 | 35 | 135 | 601 | 1200 | 210 | 1.0 | 25.4 | 0.75 | 19.1 |
| J-4624-545 | 2 | OR | 22 | 98 | 500 | 53 | 135 | 601 | 2100 | 368 | 1.0 | 25.4 | 0.25 | 6.4 |
| J-4624-32 | 1 | OR | 29 | 129 | 260 | 46 | 200 | 890 | 1800 | 315 | 1.0 | 25.4 | 0.50 | 12.7 |
| J-4624-351 | 1 | OR | 29 | 129 | 260 | 46 | 200 | 890 | 1800 | 315 | 1.0 | 25.4 | 0.50 | 12.7 |
| J-4624-10 | 2 | NR | 40 | 178 | 750 | 131 | 168 | 747 | 4200 | 735 | 1.0 | 25.4 | 0.25 | 6.4 |
| J-4624-7 | 3 | NR | — | — | — | — | 30 | 133 | 400 | 70 | 1.0 | 25.4 | — | — |
| J-4624-2 | 3 | OR | — | — | — | — | 90 | 400 | 750 | 131 | 1.0 | 25.4 | — | — |
| J-4624-851 | 1 | NR | 12 | 53 | 105 | 18 | 64 | 285 | 620 | 109 | 1.0 | 25.4 | 0.50 | 12.3 |
| J-4624-827 | 3 | PB | — | — | — | — | 53 | 236 | 580 | 102 | 1.0 | 25.4 | — | — |
| J-4624-873 | 1 | OR | 29 | 129 | 260 | 46 | 200 | 890 | 1800 | 315 | 1.0 | 25.4 | 0.75 | 19.1 |
| J-4624-556 | 1 | NR | 35 | 156 | 200 | 35 | 135 | 601 | 1200 | 210 | 1.0 | 25.4 | 0.75 | 19.1 |
| J-11729-123 | 1 | NR | 20 | 89 | 150 | 26 | 180 | 801 | 950 | 166 | 1.5 | 38.1 | 0.75 | 19.1 |
| J-11729-126 | 1 | OR | 25 | 111 | 185 | 32 | 190 | 845 | 1000 | 175 | 1.5 | 38.1 | 0.75 | 19.1 |
| J-11729-169 | 1 | NR | 30 | 133 | 125 | 22 | 225 | 1001 | 900 | 158 | 1.5 | 38.1 | 0.75 | 19.1 |
| J-11729-124 | 1 | NR | 35 | 156 | 320 | 56 | 300 | 1334 | 1715 | 300 | 1.5 | 38.1 | 0.75 | 19.1 |
| J-11729-127 | 1 | OR | 35 | 156 | 320 | 56 | 300 | 1334 | 1600 | 280 | 1.5 | 38.1 | 0.75 | 19.1 |
| J-11729-125 | 1 | NR | 50 | 222 | 380 | 67 | 420 | 1868 | 2000 | 350 | 1.5 | 38.1 | 0.75 | 19.1 |
| J-11729-177 | 2 | OR | 20 | 89 | 225 | 39 | 60 | 267 | 900 | 158 | 1.5 | 38.1 | 0.33 | 8.4 |
| J-11729-187 | 2 | OR | 22 | 98 | 320 | 56 | 100 | 445 | 2050 | 359 | 1.5 | 38.1 | 0.33 | 8.4 |
| J-11729-190 | 2 | NR | 25 | 111 | 110 | 19 | 120 | 534 | 500 | 88 | 1.5 | 38.1 | 0.33 | 8.4 |
| J-11729-195 | 3 | OR | — | — | — | — | 250 | 1112 | 1820 | 319 | 1.5 | 38.1 | — | — |
| J-11729-666 | 1 | NR | 11 | 49 | 550 | 96 | 90 | 400 | 3750 | 657 | 1.5 | 38.1 | 0.75 | 19.1 |

① NR = Natural Rubber
 OR = Oil-Resistant Elastomer - Neoprene
 PB = Oil-Resistant Elastomer

A part's listing in this catalog does not guarantee its availability.
 To download/print the most current catalog, go to www.LORD.com.

Table 2 – Specifications and Dimensions

| Part Number | Part Dimensions | | | | Bolt Information* | |
|----------------|-----------------|------|------|------|-------------------|--------------------|
| | C | | D | | Thread Size | Grade per SAE J429 |
| | in | mm | in | mm | | |
| SMB003-0100-1 | 0.50 | 12.7 | 0.38 | 9.7 | 8 - 32 | 1 |
| SMB003-0100-2 | 0.50 | 12.7 | 0.38 | 9.7 | 8 - 32 | 1 |
| SMB003-0100-7 | 0.50 | 12.7 | 0.38 | 9.7 | 8 - 32 | 1 |
| SMB003-0100-3 | 0.50 | 12.7 | 0.38 | 9.7 | 8 - 32 | 1 |
| SMB003-0100-43 | 0.50 | 12.7 | 0.38 | 9.7 | 6 - 32 | 1 |
| SMB003-0100-42 | 0.50 | 12.7 | 0.38 | 9.7 | 10 - 32 | 1 |
| SMB003-0100-9 | 0.50 | 12.7 | 0.38 | 9.7 | 8 - 32 | 1 |
| SMB003-0200-6 | 0.50 | 12.7 | 0.38 | 9.7 | 8 - 32 | 1 |
| SMB003-0200-9 | 0.50 | 12.7 | 0.38 | 9.7 | 8 - 32 | 1 |
| SMB003-0100-12 | 0.25 | 6.4 | 0.38 | 9.7 | 8 - 32 | 1 |
| SMB006-0100-2 | 0.62 | 15.7 | 0.50 | 12.7 | 1/4 - 20 | 1 |
| SMB006-0100-7 | 0.62 | 15.7 | 0.50 | 12.7 | 1/4 - 20 | 1 |
| SMB006-0100-9 | 0.62 | 15.7 | 0.50 | 12.7 | 1/4 - 20 | 1 |
| SMB006-0200-6 | 0.62 | 15.7 | 0.50 | 12.7 | 1/4 - 20 | 1 |
| SMB006-0200-9 | 0.62 | 15.7 | 0.50 | 12.7 | 1/4 - 20 | 1 |
| J-4624-109 | 0.75 | 19.1 | 0.38 | 9.7 | 1/4 - 20 | 1 |
| J-4624-43 | 0.75 | 19.1 | 0.38 | 9.7 | 1/4 - 20 | 1 |
| J-4624-19 | 0.75 | 19.1 | 0.38 | 9.7 | 1/4 - 20 | 1 |
| J-4624-57 | 0.75 | 19.1 | 0.62 | 15.7 | 5/16 - 18 | 1 |
| J-4624-479 | 0.75 | 19.1 | 0.50 | 12.7 | 1/4 - 20 | 1 |
| J-4624-165 | 0.75 | 19.1 | 0.62 | 15.7 | 1/4 - 20 | 1 |
| J-4624-1 | 0.75 | 19.1 | 0.38 | 9.7 | 1/4 - 20 | 1 |
| J-4624-14 | 0.75 | 19.1 | 0.50 | 12.7 | 1/4 - 20 | 1 |
| J-4624-27 | 0.75 | 19.1 | 0.75 | 19.1 | 1/4 - 20 | 1 |
| J-4624-119 | 0.75 | 19.1 | 0.50 | 12.7 | 5/16 - 18 | 1 |
| J-4624-23 | 0.75 | 19.1 | 0.62 | 15.7 | 1/4 - 20 | 1 |
| J-4624-63 | 0.75 | 19.1 | 0.50 | 12.7 | 1/4 - 20 | 1 |
| J-4624-13 | 0.75 | 19.1 | 0.50 | 12.7 | 5/16 - 18 | 1 |
| J-4624-3 | 0.75 | 19.1 | 0.50 | 12.7 | 5/16 - 18 | 1 |
| J-4624-45 | 0.75 | 19.1 | 0.75 | 19.1 | 5/16 - 18 | 1 |
| J-4624-545 | 0.75 | 19.1 | 0.50 | 12.7 | 5/16 - 18 | 1 |
| J-4624-32 | 0.75 | 19.1 | 0.50 | 12.7 | 1/4 - 20 | 1 |
| J-4624-351 | 0.75 | 19.1 | 0.50 | 12.7 | 5/16 - 18 | 1 |
| J-4624-10 | 0.75 | 19.1 | 0.38 | 9.7 | 1/4 - 20 | 1 |
| J-4624-7 | 0.69 | 17.5 | 0.38 | 9.7 | 1/4 - 20 | 1 |
| J-4624-2 | 0.69 | 17.5 | 0.38 | 9.7 | 1/4 - 20 | 1 |
| J-4624-851 | 0.75 | 19.1 | 0.50 | 12.7 | 1/4 - 20 | 1 |
| J-4624-827 | 0.69 | 17.5 | 0.62 | 15.7 | 1/4 - 20 | 1 |
| J-4624-873 | 0.75 | 19.1 | 0.75 | 19.1 | 5/16 - 18 | 1 |
| J-4624-556 | 0.75 | 19.1 | 0.50 | 12.7 | 1/4 - 20 | 1 |
| J-11729-123 | 1.0 | 25.4 | 0.75 | 19.1 | 3/8 - 16 | 1 |
| J-11729-126 | 1.0 | 25.4 | 0.75 | 19.1 | 3/8 - 16 | 1 |
| J-11729-169 | 1.5 | 38.1 | 0.75 | 19.1 | 3/8 - 16 | 1 |
| J-11729-124 | 1.0 | 25.4 | 0.75 | 19.1 | 3/8 - 16 | 1 |
| J-11729-127 | 1.0 | 25.4 | 0.75 | 19.1 | 3/8 - 16 | 1 |
| J-11729-125 | 1.0 | 25.4 | 0.75 | 19.1 | 3/8 - 16 | 1 |
| J-11729-177 | 1.0 | 25.4 | 0.75 | 19.1 | 3/8 - 16 | 1 |
| J-11729-187 | 1.0 | 25.4 | 0.75 | 19.1 | 3/8 - 16 | 1 |
| J-11729-190 | 1.5 | 38.1 | 0.75 | 19.1 | 3/8 - 16 | 1 |
| J-11729-195 | 1.0 | 25.4 | 0.75 | 19.1 | 3/8 - 16 | 1 |
| J-11729-666 | 1.0 | 25.4 | 0.75 | 19.1 | 3/8 - 16 | 1 |

* For tightening torque information, refer to Tightening Torque Charts section.

Figure 1 – Part Dimensions - Type 1

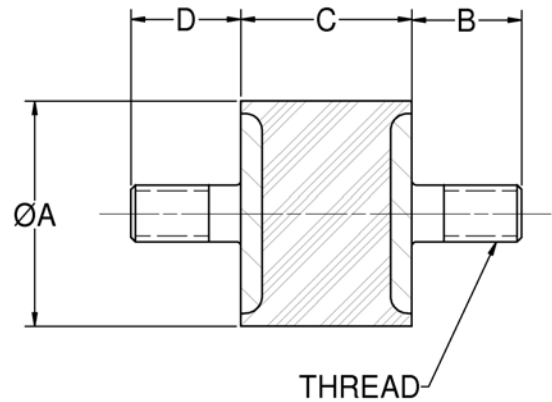


Figure 2 – Part Dimensions - Type 2

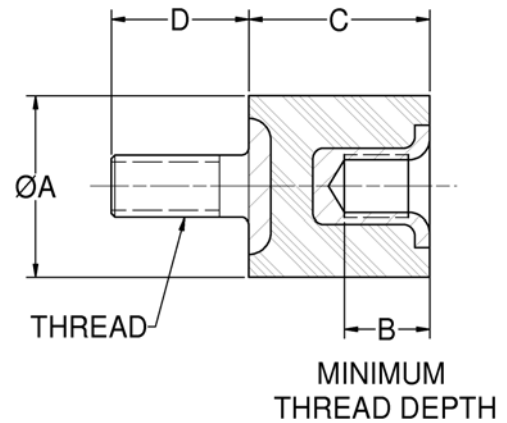
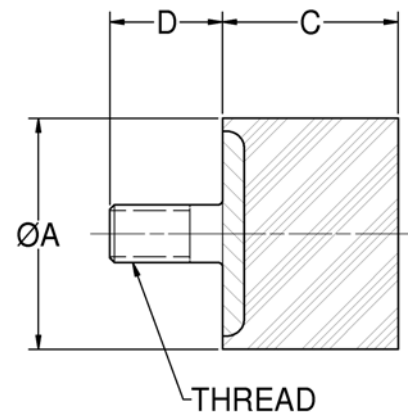


Figure 3 – Part Dimensions - Type 3



Small Sandwich Mounts (Metric Threads)

Table 1 – Specifications and Dimensions

| Part Number | Type | Elastomer ① | Shear | | | | Compression | | | | Part Dimensions | | | |
|---------------|------|----------------|---------------------|-----|-------------------------------|------|---------------------|-----|-------------------------------|------|-----------------|------|------|------|
| | | | Maximum Static Load | | Spring Rate K _S | | Maximum Static Load | | Spring Rate K _C | | A | | B | |
| | | | lb | N | lb/in | N/mm | lb | N | lb/in | N/mm | in | mm | in | mm |
| SMB003-0400-8 | 1 | OR | 2 | 9 | 40 | 7 | 13 | 58 | 200 | 35 | 0.38 | 9.7 | 0.38 | 9.7 |
| SMB003-0500-6 | 2 | OR | 1 | 4 | 55 | 10 | 7 | 31 | 295 | 52 | 0.38 | 9.7 | 0.19 | 4.8 |
| SMB003-0500-9 | 2 | OR | 2 | 9 | 120 | 21 | 11 | 49 | 460 | 81 | 0.38 | 9.7 | 0.19 | 4.8 |
| SMB006-0400-7 | 1 | OR | 5 | 22 | 55 | 10 | 35 | 156 | 320 | 56 | 0.62 | 15.7 | 0.50 | 12.7 |
| SMB006-0400-9 | 1 | OR | 9 | 40 | 140 | 25 | 60 | 267 | 700 | 123 | 0.62 | 15.7 | 0.50 | 12.7 |
| SMB006-0500-6 | 2 | OR | 4 | 18 | 110 | 19 | 17 | 76 | 550 | 96 | 0.62 | 15.7 | 0.25 | 6.3 |
| SMB006-0500-9 | 2 | OR | 7 | 31 | 220 | 39 | 35 | 156 | 800 | 151 | 0.62 | 15.7 | 0.25 | 6.3 |
| J-4624-616 | 1 | OR | 14 | 62 | 125 | 22 | 95 | 423 | 700 | 123 | 1.0 | 25.4 | 0.75 | 19.0 |
| J-4624-618 | 1 | OR | 22 | 98 | 220 | 39 | 145 | 645 | 1200 | 210 | 1.0 | 25.4 | 0.75 | 19.0 |
| J-4624-640 | 2 | NR | 6 | 27 | 155 | 27 | 45 | 200 | 750 | 131 | 1.0 | 25.4 | 0.25 | 6.3 |
| J-11729-685 | 1 | NR | 43 | 191 | 171 | 30 | 145 | 644 | 1200 | 210 | 1.5 | 38.1 | 0.87 | 22.1 |

Materials: Metal parts are steel per SAE J429, Grade 1.

① NR = Natural Rubber
OR = Oil-Resistant Elastomer - Neoprene

† Non-Stock Item, please contact LORD Corporation for availability.

Table 2 – Specifications and Dimensions

| Part Number | Part Dimensions | | | | Bolt Information* | |
|---------------|-----------------|------|------|------|-------------------|---------------------|
| | C | | D | | Thread Size | Class per SAE J1199 |
| | in | mm | in | mm | | |
| SMB003-0400-8 | .50 | 12.7 | .38 | 9.7 | M4 x 0.7 | 4.6 |
| SMB003-0500-6 | .50 | 12.7 | .38 | 9.7 | M4 x 0.7 | 4.6 |
| SMB003-0500-9 | .50 | 12.7 | .38 | 9.7 | M4 x 0.7 | 4.6 |
| SMB006-0400-7 | .62 | 15.7 | .50 | 12.7 | M6 x 1.0 | 4.6 |
| SMB006-0400-9 | .62 | 15.7 | .50 | 12.7 | M6 x 1.0 | 4.6 |
| SMB006-0500-6 | .62 | 15.7 | .50 | 12.7 | M6 x 1.0 | 4.6 |
| SMB006-0500-9 | .62 | 15.7 | .50 | 12.7 | M6 x 1.0 | 4.6 |
| J-4624-616 | .75 | 19.0 | .75 | 19.0 | M6 x 1.0 | 4.6 |
| J-4624-618 | .75 | 19.0 | .75 | 19.0 | M6 x 1.0 | 4.6 |
| J-4624-640 | .75 | 19.0 | .75 | 19.0 | M6 x 1.0 | 4.6 |
| J-11729-685 | 1.20 | 30.5 | 0.84 | 22.1 | M8 x 1.25 | 6 |

Materials: Metal parts are steel per SAE J429, Grade 1.

* For tightening torque information, refer to Tightening Torque Charts section.

Figure 1 – Part Dimensions - Type 1

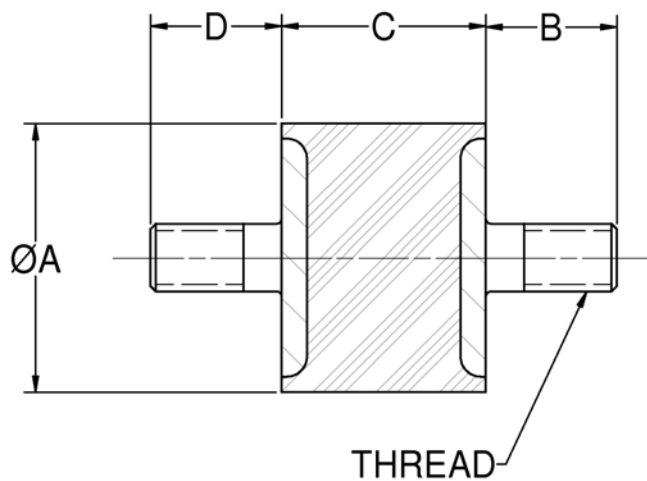
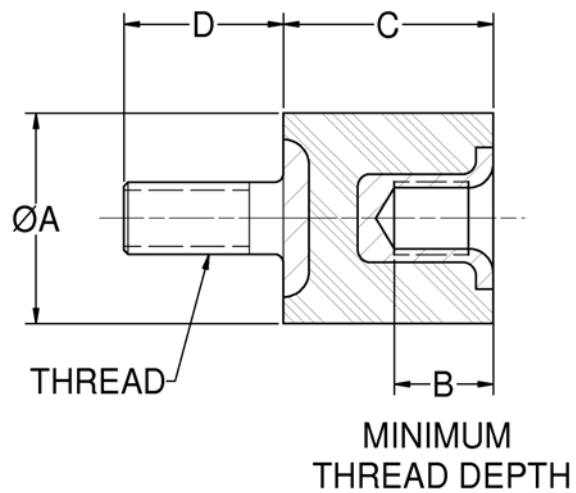


Figure 2 – Part Dimensions - Type 2



Medium Sandwich Mounts

Table 1 – Specifications and Dimensions

| Part Number | Type | Elastomer ① | Shear | | | | Compression | | | | Part Dimensions | | | |
|-------------|------|----------------|---------------------|------|-------------------------------|------|---------------------|------|-------------------------------|------|-----------------|------|------|-------|
| | | | Maximum Static Load | | Spring Rate K _S | | Maximum Static Load | | Spring Rate K _C | | A | | B | |
| | | | lb | N | lb/in | N/mm | lb | N | lb/in | N/mm | in | mm | in | mm |
| J-3424-143 | 4 | NR | 23 | 102 | 115 | 20 | 130 | 578 | 650 | 114 | 2.0 | 50.8 | .40 | 10.2 |
| J-3424-49 | 4 | NR | 30 | 133 | 75 | 13 | 184 | 818 | 455 | 80 | 2.0 | 50.8 | .40 | 10.2 |
| J-3424-8 | 4 | NR | 36 | 160 | 110 | 19 | 208 | 925 | 635 | 111 | 2.0 | 50.8 | .40 | 10.2 |
| J-3424-5 | 4 | OR | 38 | 169 | 165 | 29 | 205 | 912 | 900 | 158 | 2.0 | 50.8 | .40 | 10.2 |
| J-3424-30 | 4 | NR | 49 | 218 | 320 | 56 | 259 | 1152 | 1685 | 295 | 2.0 | 50.8 | .40 | 10.2 |
| J-3424-6 | 4 | NR | 57 | 253 | 250 | 44 | 274 | 1219 | 1200 | 210 | 2.0 | 50.8 | .40 | 10.2 |
| J-3424-2 | 4 | OR | 66 | 293 | 290 | 51 | 278 | 1237 | 1220 | 214 | 2.0 | 50.8 | .40 | 10.2 |
| J-3424-80 | 4 | NR | 91 | 405 | 400 | 70 | 382 | 1699 | 1675 | 293 | 2.0 | 50.8 | .40 | 10.2 |
| J-3424-3 | 4 | OR | 81 | 360 | 355 | 62 | 417 | 1855 | 1830 | 320 | 2.0 | 50.8 | .40 | 10.2 |
| J-3424-21 | 4 | OR | 120 | 534 | 525 | 92 | 549 | 2442 | 2410 | 422 | 2.0 | 50.8 | .40 | 10.2 |
| J-3424-147 | 5 | NR | — | — | — | — | 551 | 2451 | 5400 | 946 | 2.0 | 50.8 | .40 | 10.2 |
| J-5294-2 | 6 | OR | 190 | 845 | 665 | 116 | 1500 | 6672 | 3675 | 643 | 2.81 | 71.4 | 4.78 | 121.4 |
| J-5425-15 | 1 | NR | 92 | 409 | 220 | 39 | 600 | 2669 | 1250 | 219 | 3.12 | 79.2 | 1.25 | 31.8 |
| J-5425-275 | 4 | NR | 110 | 489 | 260 | 46 | 720 | 3203 | 1400 | 245 | 3.12 | 79.2 | .53 | 13.5 |
| J-5425-1 | 1 | NR | 157 | 698 | 455 | 80 | 1020 | 4537 | 2165 | 379 | 3.12 | 79.2 | 1.25 | 31.8 |
| J-5425-123 | 4 | NR | 165 | 732 | 750 | 133 | 1670 | 7428 | 4125 | 722 | 3.12 | 79.2 | .53 | 13.5 |
| J-5425-276 | 1 | NR | 221 | 933 | 850 | 149 | 1670 | 7428 | 3525 | 617 | 3.12 | 79.2 | 1.25 | 31.58 |
| J-5425-27 | 2 | NR | 236 | 1050 | 650 | 114 | 1540 | 6850 | 2750 | 482 | 3.12 | 79.2 | .53 | 13.5 |
| J-5425-6 | 1 | NR | 175 | 777 | 800 | 142 | 2040 | 9074 | 4000 | 700 | 3.12 | 79.2 | 1.25 | 31.8 |
| J-5425-169 | 3 | NR | — | — | — | — | 1100 | 4893 | 2680 | 469 | 3.12 | 79.2 | — | — |
| J-5425-219 | 1 | NR | 325 | 1446 | 325 | 57 | — | — | 1800 | 315 | 3.12 | 79.2 | 0.87 | 3.9 |

① NR = Natural Rubber
OR = Oil-Resistant Elastomer - Neoprene

Table 2 – Specifications and Dimensions

| Part Number | Part Dimensions | | | | | | | | | | | | Bolt Information* | |
|-------------|-----------------|------|------|------|------|------|------|------|------|------|------|------|-------------------|--------------------|
| | C | | D | | E | | F | | G | | H | | Thread Size | Grade per SAE J429 |
| | in | mm | in | mm | in | mm | in | mm | in | mm | in | mm | | |
| J-3424-143 | 2.12 | 53.8 | 0.40 | 10.2 | — | — | — | — | — | — | — | — | 1/2 - 13 | 2 |
| J-3424-49 | 3.00 | 76.2 | 0.40 | 10.2 | — | — | — | — | — | — | — | — | 1/2 - 13 | 2 |
| J-3424-8 | 2.62 | 66.5 | 0.40 | 10.2 | — | — | — | — | — | — | — | — | 1/2 - 13 | 2 |
| J-3424-5 | 2.12 | 53.8 | 0.40 | 10.2 | — | — | — | — | — | — | — | — | 1/2 - 13 | 2 |
| J-3424-30 | 1.75 | 44.5 | 0.40 | 10.2 | — | — | — | — | — | — | — | — | 1/2 - 13 | 2 |
| J-3424-6 | 2.12 | 53.8 | 0.40 | 10.2 | — | — | — | — | — | — | — | — | 1/2 - 13 | 2 |
| J-3424-2 | 2.12 | 53.8 | 0.40 | 10.2 | — | — | — | — | — | — | — | — | 1/2 - 13 | 2 |
| J-3424-80 | 2.12 | 53.8 | 0.40 | 10.2 | — | — | — | — | — | — | — | — | 1/2 - 13 | 2 |
| J-3424-3 | 2.12 | 53.8 | 0.40 | 10.2 | — | — | — | — | — | — | — | — | 1/2 - 13 | 2 |
| J-3424-21 | 2.12 | 53.8 | 0.40 | 10.2 | — | — | — | — | — | — | — | — | 1/2 - 13 | 2 |
| J-3424-147 | 1.00 | 25.4 | 0.40 | 10.2 | — | — | — | — | — | — | — | — | 1/2 - 13 | 2 |
| J-5294-2 | 2.56 | 65.0 | 3.0 | 76.2 | 1.75 | 44.5 | 2.25 | 57.2 | 3.88 | 98.6 | 0.81 | 20.6 | 5/16 - 18 | 2 |
| J-5425-15 | 3.00 | 76.2 | 1.25 | 31.8 | — | — | — | — | — | — | — | — | 1/2 - 13 | 2 |
| J-5425-275 | 3.00 | 76.2 | 0.53 | 13.5 | — | — | — | — | — | — | — | — | 1/2 - 13 | 2 |
| J-5425-1 | 3.00 | 76.2 | 1.25 | 31.8 | — | — | — | — | — | — | — | — | 1/2 - 13 | 2 |
| J-5425-123 | 2.25 | 57.2 | 0.53 | 13.5 | — | — | — | — | — | — | — | — | 1/2 - 20 | 2 |
| J-5425-276 | 2.25 | 57.2 | 1.25 | 31.8 | — | — | — | — | — | — | — | — | 1/2 - 13 | 2 |
| J-5425-27 | 3.00 | 76.2 | 1.25 | 38.1 | — | — | — | — | — | — | — | — | 1/2 - 20 | 2 |
| J-5425-6 | 3.00 | 76.2 | 1.25 | 38.1 | — | — | — | — | — | — | — | — | 1/2 - 13 | 2 |
| J-5425-169 | 2.50 | 63.5 | 0.75 | 19.1 | — | — | — | — | — | — | — | — | 1/2 - 13 | 2 |
| J-5425-219 | 3.0 | 76.2 | 0.87 | 3.9 | — | — | — | — | — | — | — | — | 1/2 - 13 | 2 |

* For tightening torque information, refer to Tightening Torque Charts section.

A part's listing in this catalog does not guarantee its availability.
To download/print the most current catalog, go to www.LORD.com.

Figure 1 – Part Dimensions - Type 1

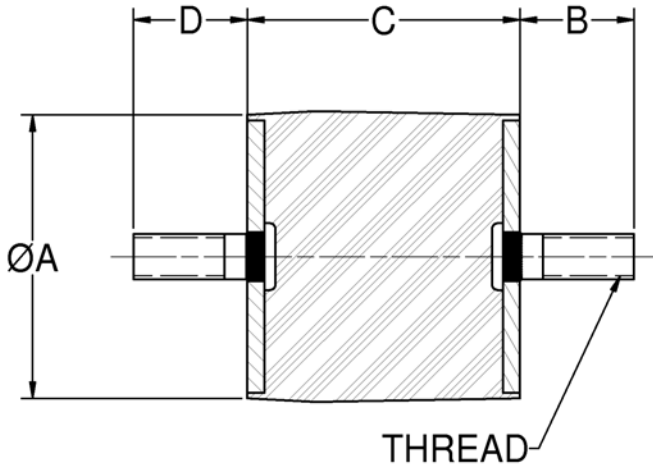


Figure 2 – Part Dimensions - Type 2

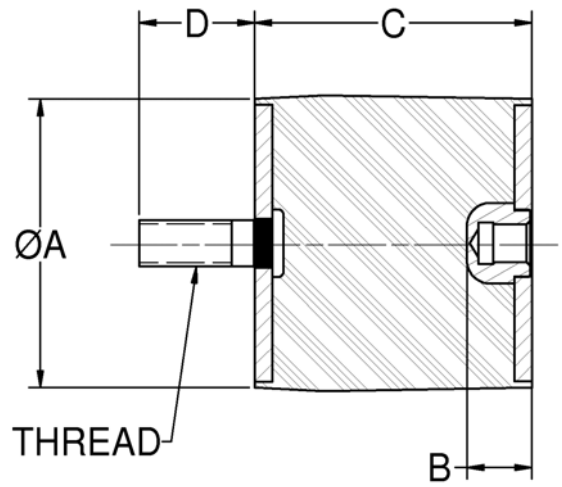


Figure 3 – Part Dimensions - Type 3

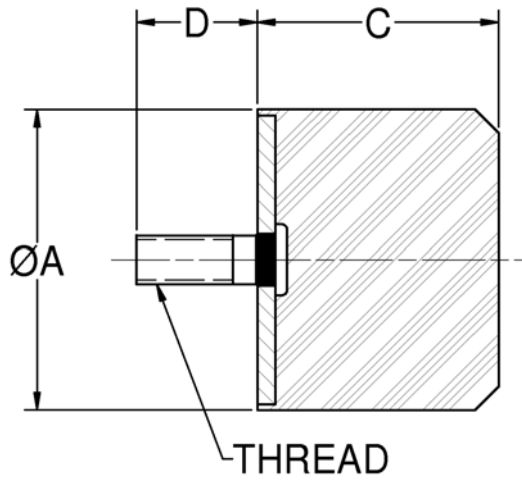


Figure 4 – Part Dimensions - Type 4

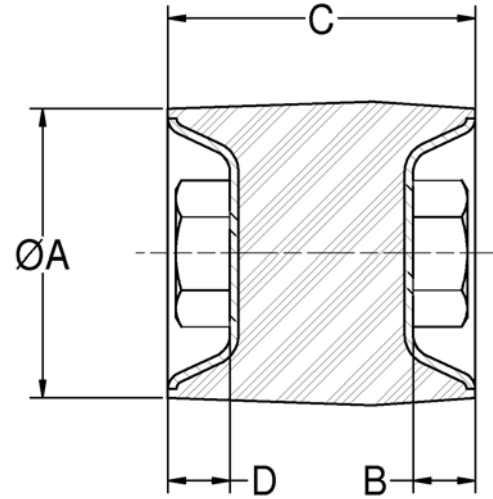


Figure 5 – Part Dimensions - Type 5

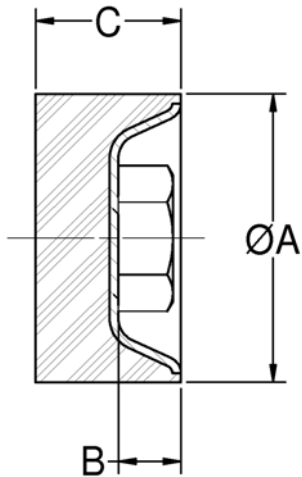
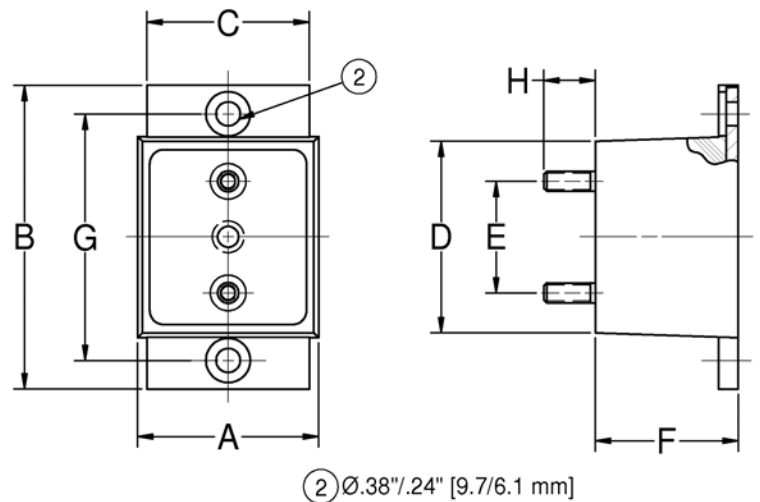


Figure 6 – Part Dimensions - Type 6



Large Sandwich Mounts

Table 1 – Specifications and Dimensions

| Part Number | Type | Elastomer ① | Shear | | | | Compression | | | | Part Dimensions | | | |
|---------------|------|----------------|---------------------|------|-------------------------------|------|---------------------|--------|-------------------------------|------|-----------------|-------|------|-------|
| | | | Maximum Static Load | | Spring Rate K _S | | Maximum Static Load | | Spring Rate K _C | | A | | B | |
| | | | lb | N | lb/in | N/mm | lb | N | lb/in | N/mm | in | mm | in | mm |
| J-5735-2 | 3 | NR | 245 | 1090 | 440 | 77 | 1575 | 7006 | 2000 | 350 | 4.83 | 122.7 | 4.83 | 122.7 |
| J-5682-22 | 1 | NR | 160 | 712 | 550 | 98 | 1650 | 7340 | 4285 | 750 | 4.00 | 101.6 | 1.25 | 31.8 |
| J-5682-1 | 1 | OR | 225 | 1000 | 900 | 160 | 2700 | 12,010 | 6900 | 1208 | 4.00 | 101.6 | 1.25 | 31.8 |
| J-5682-32 | 2 | NR | — | — | — | — | 2260 | 10,050 | 11,800 | 2065 | 3.96 | 100.6 | — | — |
| J-5130-55 | 4 | NR | 450 | 2002 | 1800 | 315 | 3400 | 15,124 | 15,000 | 2627 | 4.75 | 120.7 | 4.75 | 120.7 |
| J-5130-1 | 4 | OR | 550 | 2447 | 2000 | 350 | 4130 | 18,371 | 17,300 | 3030 | 4.75 | 120.7 | 4.75 | 120.7 |
| SMA070-0600-3 | 5 | NR | 600 | 2669 | 1450 | 254 | 4900 | 21,746 | 9400 | 1646 | 7.12 | 180.8 | 7.12 | 180.8 |
| J-14056-4 | 5 | NR | 770 | 3425 | 850 | 149 | 3670 | 16,325 | 5100 | 893 | 7.12 | 180.8 | 7.12 | 180.8 |
| SMA090-0900-1 | 5 | NR | 900 | 4003 | 1675 | 293 | 7600 | 33,806 | 10,500 | 1839 | 9.00 | 228.6 | 9.00 | 228.6 |
| SMA095-1200-3 | 5 | NR | 1200 | 5338 | 970 | 170 | 5800 | 25,800 | 5800 | 1016 | 9.44 | 239.8 | 9.44 | 239.8 |
| J-6332-121 | 6 | SP | 1360 | 6050 | 4800 | 846 | 12,240 | 54,446 | 42,800 | 7494 | 7.14 | 181.4 | 9.00 | 228.6 |
| J-6332-2 | 6 | OR | 1680 | 7473 | 4200 | 735 | 13,440 | 59,784 | 40,500 | 7092 | 7.14 | 181.4 | 9.00 | 228.6 |
| J-6332-183 | 7 | OR | 1680 | 7473 | 4200 | 735 | 13,440 | 59,606 | 42,100 | 7372 | 7.14 | 181.4 | 9.00 | 228.6 |

① NR = Natural Rubber
 OR = Oil-Resistant Elastomer - Neoprene
 SP = SPE-1 Low Temperature Elastomer

Table 2 – Specifications and Dimensions

| Part Number | Part Dimensions | | | | | | | | | | | | | | | | Flange Thickness | | Bolt Information* | |
|---------------|-----------------|-------|------|-------|------|-------|------|-------|------|--------|------|------|------|------|------|------|------------------|-----|-------------------|--------------------|
| | C | | D | | E | | F | | G | | H | | I | | J | | in | mm | Thread Size | Grade per SAE J429 |
| | in | mm | in | mm | in | mm | in | mm | in | mm | in | mm | in | mm | | | | | | |
| J-5735-2 | 3.75 | 95.3 | 4.03 | 102.4 | 4.38 | 111.3 | 0.38 | 9.7 | 1.0 | 25.4 | — | — | — | — | — | — | 0.24 | 6.1 | 1/2 - 13 | 2 |
| J-5682-22 | 2.25 | 57.2 | 1.25 | 31.8 | 4.48 | 113.8 | — | — | — | — | — | — | — | — | — | — | — | — | 1/2 - 20 | 2 |
| J-5682-1 | 2.25 | 57.2 | 1.25 | 31.8 | 4.48 | 113.8 | — | — | — | — | — | — | — | — | — | — | — | — | 1/2 - 20 | 2 |
| J-5682-32 | 1.50 | 38.1 | 1.25 | 31.8 | 4.48 | 113.8 | — | — | — | — | — | — | — | — | — | — | — | — | 1/2 - 13 | 2 |
| J-5130-55 | 2.62 | 66.5 | 2.12 | 53.8 | 5.12 | 130.0 | 0.53 | 13.5 | — | — | — | — | — | — | — | — | — | — | 1/2 - 20 | 2 |
| J-5130-1 | 2.62 | 66.5 | 2.12 | 53.8 | 5.12 | 130.0 | 0.53 | 13.5 | — | — | — | — | — | — | — | — | — | — | 1/2 - 20 | 2 |
| SMA070-0600-3 | 5.75 | 146.1 | 5.75 | 146.1 | 0.51 | 12.9 | 3.00 | 76.2 | 5.30 | 134.6 | — | — | — | — | — | — | 0.19 | 4.8 | — | 2 |
| J-14056-4 | 5.75 | 146.1 | 5.75 | 146.1 | 0.51 | 12.9 | 4.00 | 101.6 | 5.50 | 139.7 | — | — | — | — | — | — | 0.19 | 4.8 | — | 2 |
| SMA090-0900-1 | 7.50 | 190.5 | 7.50 | 190.5 | 0.51 | 12.9 | 4.00 | 101.6 | 6.50 | 165.1 | — | — | — | — | — | — | 0.19 | 4.8 | — | 2 |
| SMA095-1200-3 | 7.50 | 190.5 | 7.50 | 190.5 | 0.76 | 19.3 | 5.50 | 139.7 | 7.40 | 188.88 | — | — | — | — | — | — | 0.25 | 6.4 | — | 2 |
| J-6332-121 | 7.12 | 180.8 | 4.00 | 101.6 | 5.50 | 139.7 | 3.88 | 98.6 | 2.25 | 57.2 | 2.50 | 63.5 | 1.00 | 25.4 | 0.53 | 13.5 | — | — | 1/2 - 20 | 2 |
| J-6332-2 | 7.12 | 180.8 | 4.00 | 101.6 | 5.50 | 139.7 | 3.88 | 98.6 | 2.25 | 57.2 | 2.50 | 63.5 | 1.00 | 25.4 | 0.53 | 13.5 | — | — | 1/2 - 20 | 2 |
| J-6332-183 | 7.12 | 180.8 | 4.00 | 101.6 | 5.50 | 139.7 | 3.88 | 98.6 | 2.25 | 57.2 | 2.50 | 63.5 | 0.53 | 13.5 | — | — | — | — | 1/2 - 20 | 2 |

* For tightening torque information, refer to Tightening Torque Charts section.

Figure 1 – Part Dimensions - Type 1

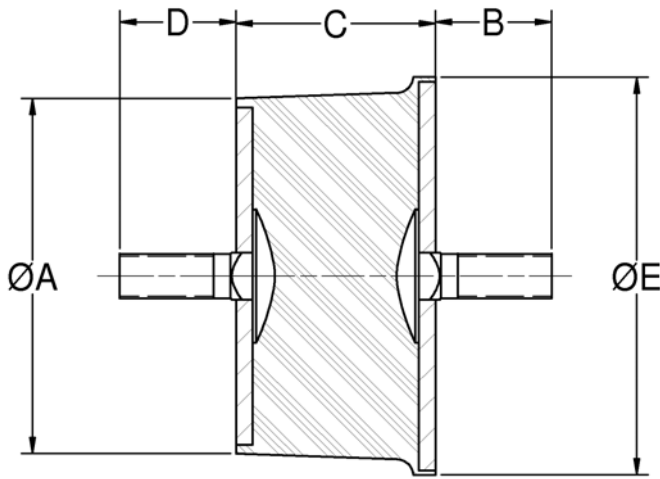


Figure 2 – Part Dimensions - Type 2

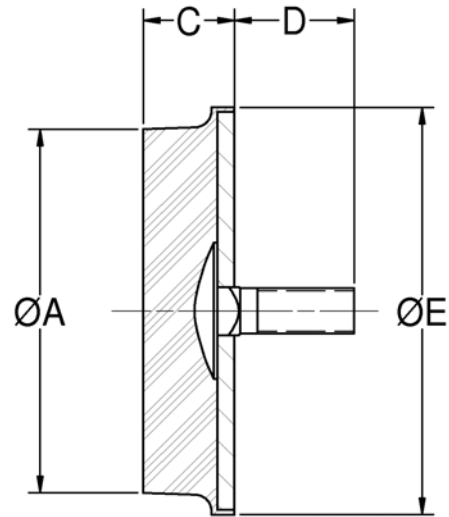


Figure 3 – Part Dimensions - Type 3

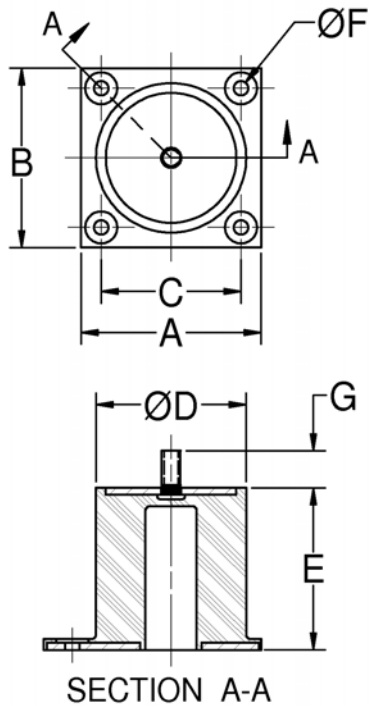


Figure 4 – Part Dimensions - Type 4

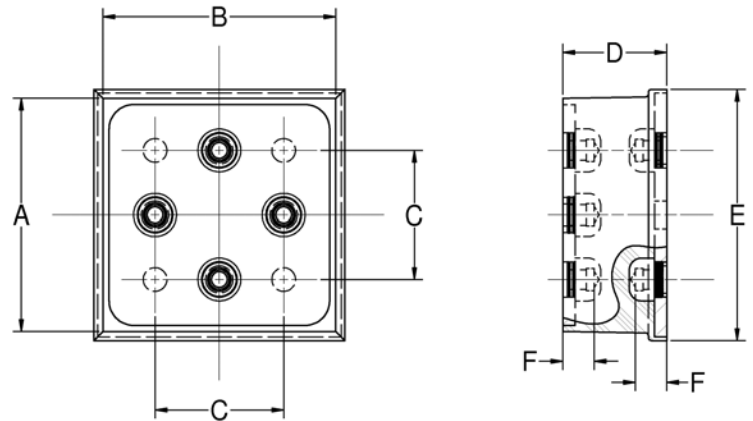


Figure 5 – Part Dimensions - Type 5

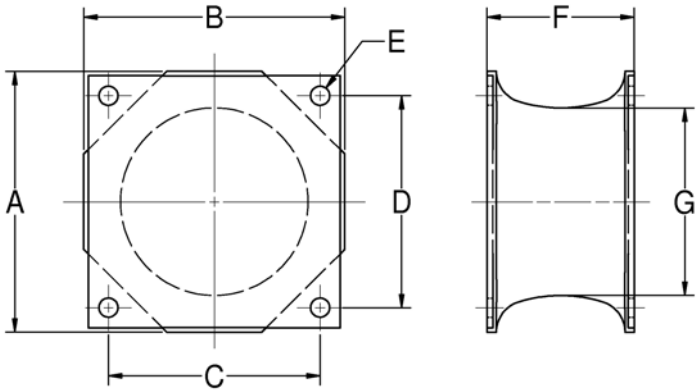


Figure 6 – Part Dimensions - Type 6

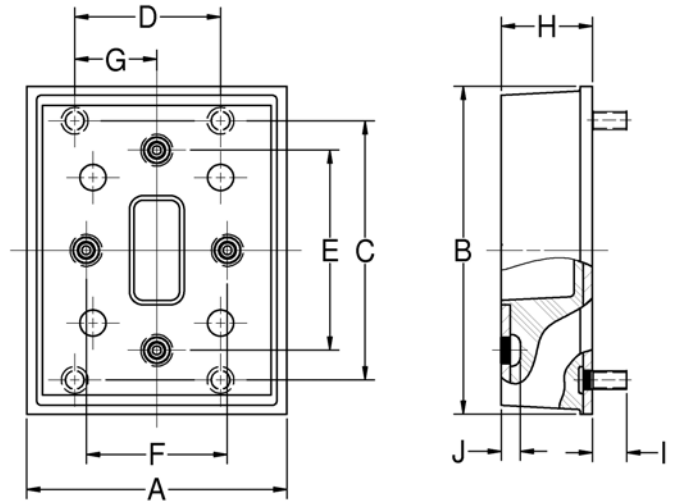


Figure 7 – Part Dimensions - Type 7

